

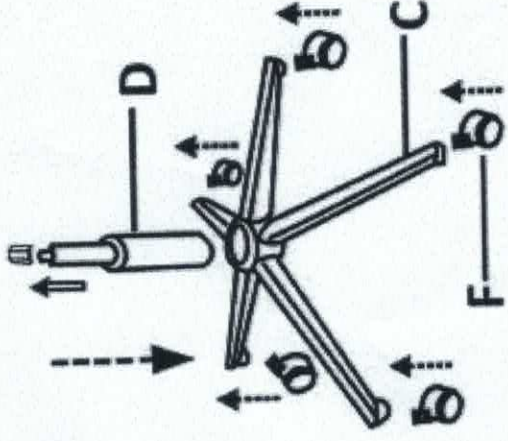
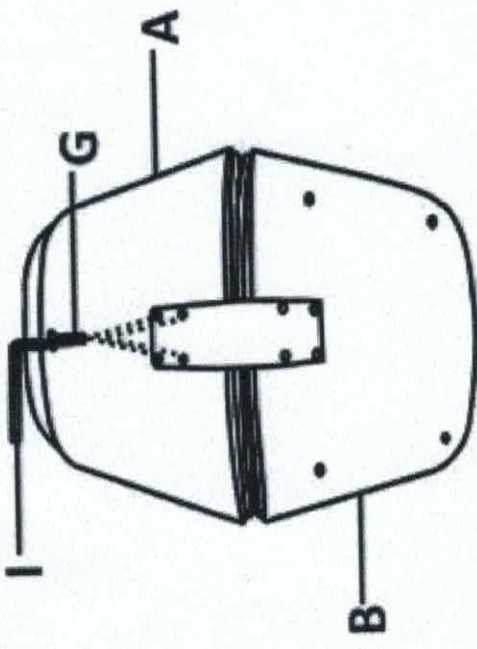


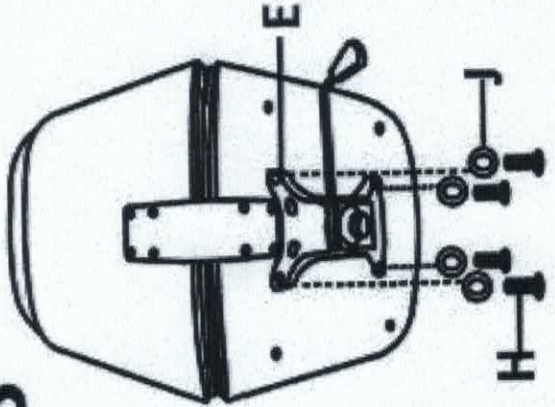
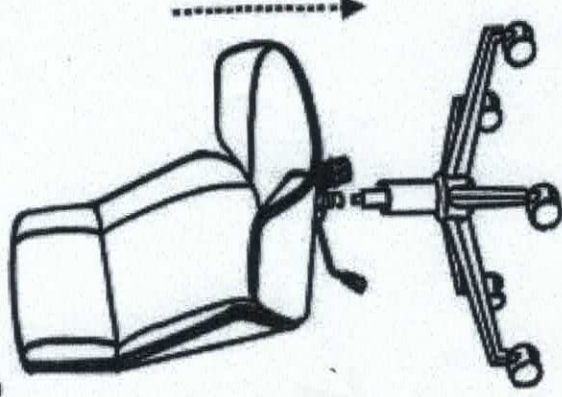


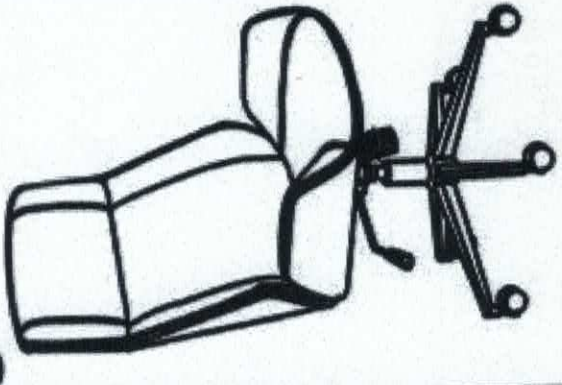
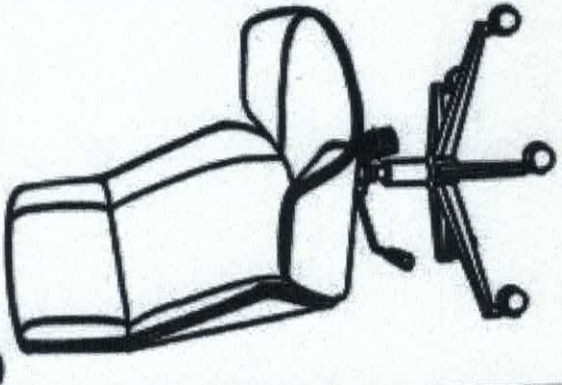






266--311 Gamora Bentwood Office Chair

ASSEMBLY INSTRUCTION

A*1 	F*5 	1 	2 
B*1 	G*4  M6*20MM	3 	4 
C*1 	H*4  M6*18MM	5 	5 
D*1 	I*1 	J*4  $\phi 6 * \phi 18\text{mm}$	J*4  $\phi 6 * \phi 18\text{mm}$